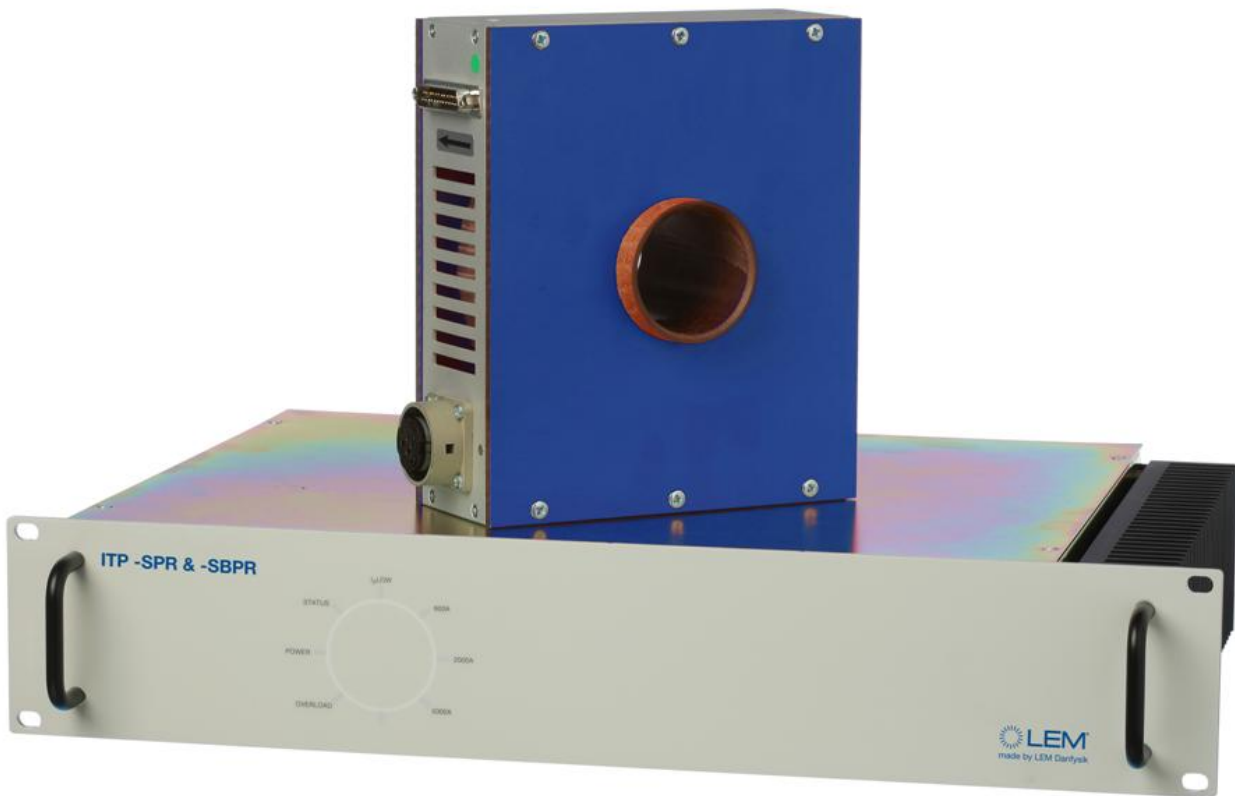


# ITP 2000-S/SP1

## High Precision Current Transducer System

High Linearity < 0.001 %

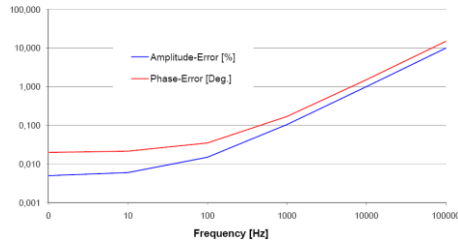
- Low Offset < 0.004 %
- High Bandwidth > 300 kHz
- Low Phase Error < 0.03° @ 50 Hz



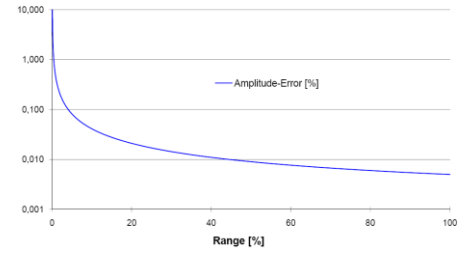
## Specifications

<b>Primary Current Range</b>	
DC, Peak	2800 A
RMS Sinus	2000 A
<b>Overload Ability</b>	
Short Time (100 mS)	300% (8400 A <sub>pk</sub> )
<b>Bandwidth</b>	DC ... 300 kHz
<b>Temperature Influence</b>	1 ppm/K
<b>Output Ratio</b>	2 A <sub>rms</sub> at 2000 A <sub>rms</sub>
<b>Linearity</b>	0.001 %
<b>Offset</b>	0.004 %
<b>Frequency Influence</b>	0.1 %/kHz
<b>Angular Influence</b>	0.02° + 0.15°/kHz

Amplitude- / Phase-Error vs. Frequency

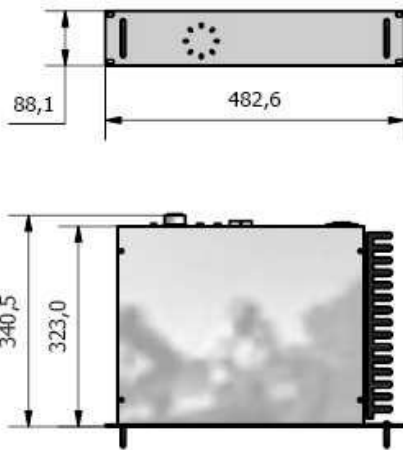


Amplitude-Error vs. Range (DC)



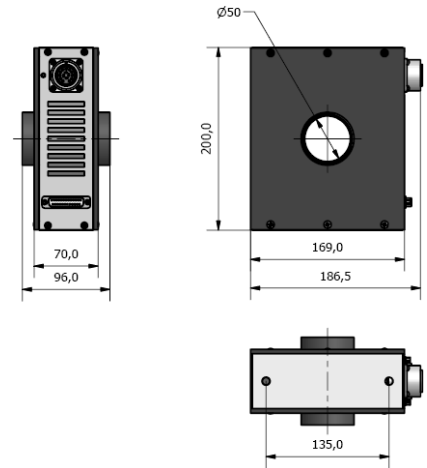
## Dimensions (in mm)

Rack



Weight: ~ 5 kg

Transducer Head



Weight: ~ 4.5 kg

## General Data

Test voltage transducer head:	5 kVrms AC
Operation temperature (Rack):	10 ... 40°C
Operation temperature (Head):	0 ... 55°C
Operation humidity:	20 ... 80%
Warranty period:	24 months
Supply voltage:	100 / 110 / 230 V <sub>AC</sub> selectable, 50 / 60 Hz
Power consumption:	50 VA max.

## Order Number ITP 2000-S/SP1

consisting of:

- 2000 Amp transducer head, type STH 2000HF
- Electronics unit (19" rack mount), wired for 230/115 or 100V AC, 50 or 60Hz
- Transducer head connecting cable (10 m), 20 and 30 m optional available
- Analogue output cable (1.5 m)
- Current output adapter
- Power cord for Europe
- Manual
- Compliance certificate